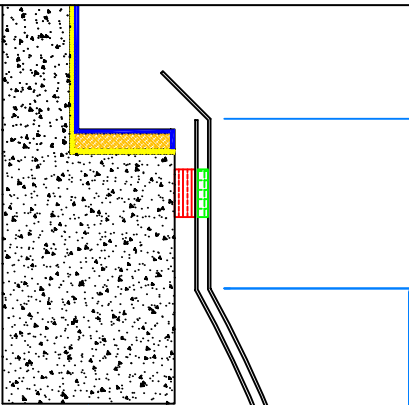


Please Confirm
Required Flange

Width x Length mm Day Light Size

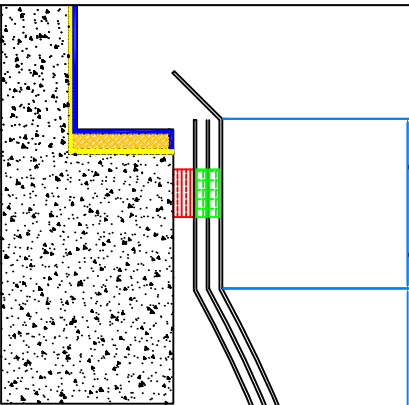


Double Skin Rooflight

Width x Length mm Roof Aperture

Please Confirm
Required Flange

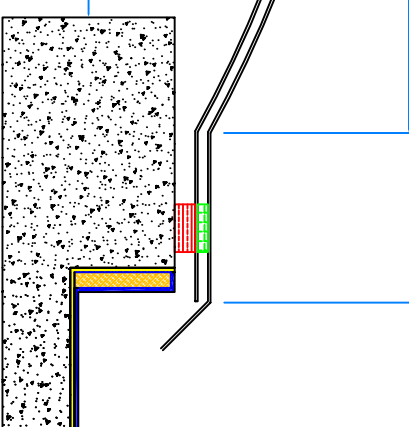
Width x Length mm Day Light Size



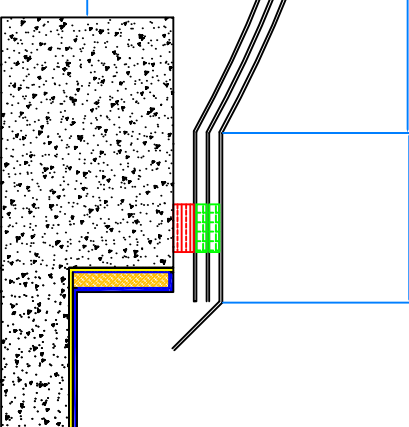
Triple Skin Rooflight

Width x Length mm Roof Aperture

Please Confirm
Required Flange



Please Confirm
Required Flange



Sola Skylights UK Limited
 Unit 9, Sola House, Dabble Duck Industrial Estate
 Shildon, County Durham, DL4 2RF
 United Kingdom
 Tel: +44 (0) 1388 778445
 Fax: +44 (0) 1388 778216
 E-mail: info@solas skylights.com

Title: Double Skin Rooflight
 Triple Skin Rooflight
 Direct Fixed to Upstand

DESCRIPTION

DWN BY	CHKD BY	APP BY
--------	---------	--------

DATE	DATE	DATE
------	------	------

Quality RefNo. 029	DATE	SCALE N.T.S.
--------------------	------	--------------