

1

2

3

4

5

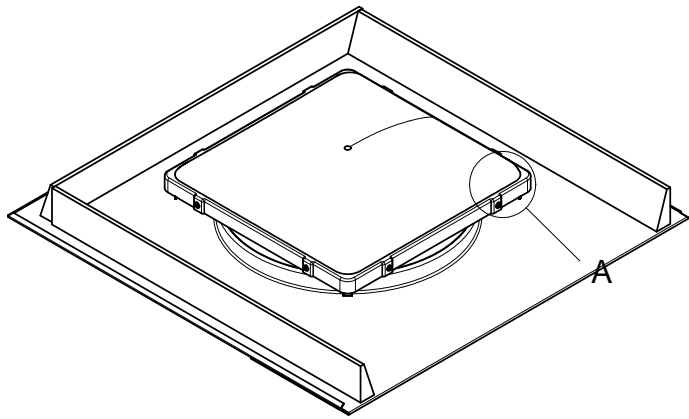
6

RevNo Revision note

Date

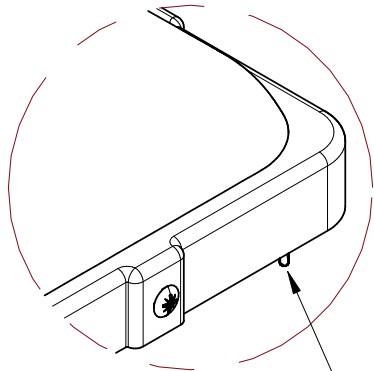
A

A



B

B



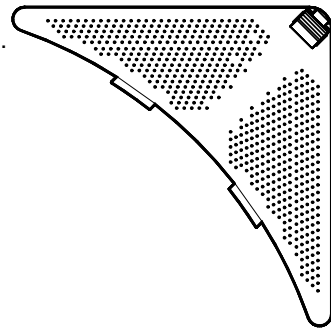
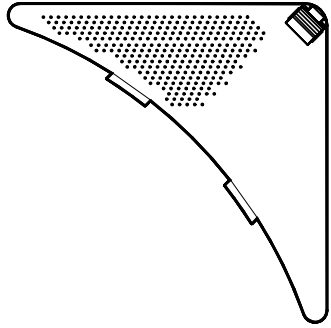
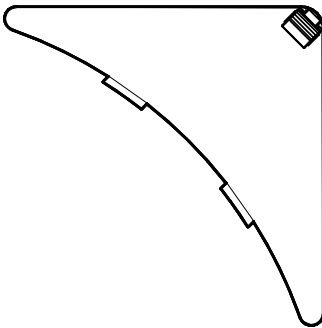
Vent tab under each corner of roof dome

C

C

Combinations of blank, semi-vented, and fully vented tabs to give fine control of ventilation.

The small holes in the vent tabs prevent entry of insects or wind gusts.



D

D

Detail A

*Sola SkyLights*

Sky Tunnel XL2  
Ventilation control - roof

Date

8th July 2009

Edition

Sheet

1

2

3

4

5

6